

## 1.7 Automatic Pressure Cover

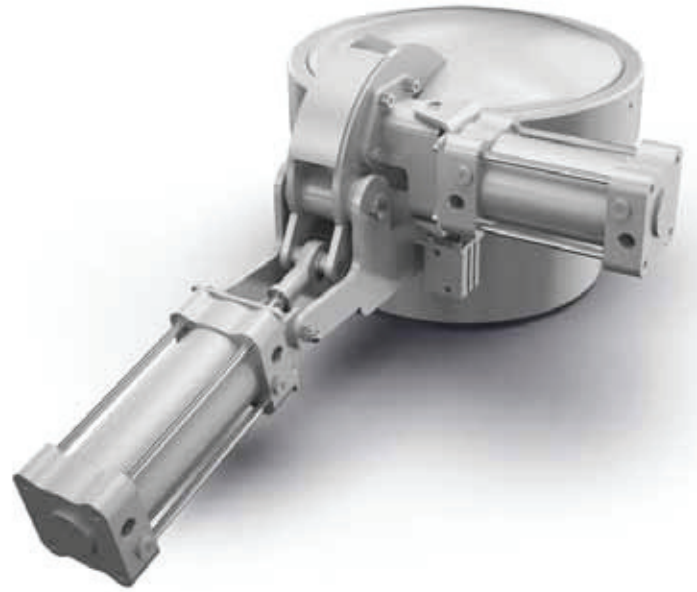
up to 8/-1 bar

### Standard design

- Wetted material: 1.4571 or 1.4404  
Attachment parts: 1.4301
- With pneumatic-cylinder for movement (locking, opening/closing)
- Silicone-O-Ring-gasket
- Pneumatic-cylinder incl. REED-contacts for detection of final positions
- Neck length 200 mm, Neck thickness 6 mm
- Surface quality: unpolished, glass-bead blasted
- With approval (Modul G) acc. PED 97/23/EC
- Design Code: AD-2000-Merkblatt

### Options

- Wetted materials: 1.4435 BN2, 1.4539, 1.4529, 1.4462, 1.4429, HC-22, HC-276, HC-2000, etc.
- Intermediate sizes
- Various gasket qualities
- Various surface qualities (glass-bead blasted, pickled or polished up to  $R_a < 0,2\mu\text{m}$ )
- Neck length up to 2000 mm, neck thickness up to 12 mm
- Neck shaped to match tank-diameter
- Conical design of the neck (up to max. 8mm neck thickness)
- Installation of nozzles (sightglasses, TC-ferrules (DIN32676), HZ-Connect, etc.)
- With safety-grill or safety-cross
- Attachment parts in other materials



**zimmerlin**  
EDELSTAHL-TECHNIK

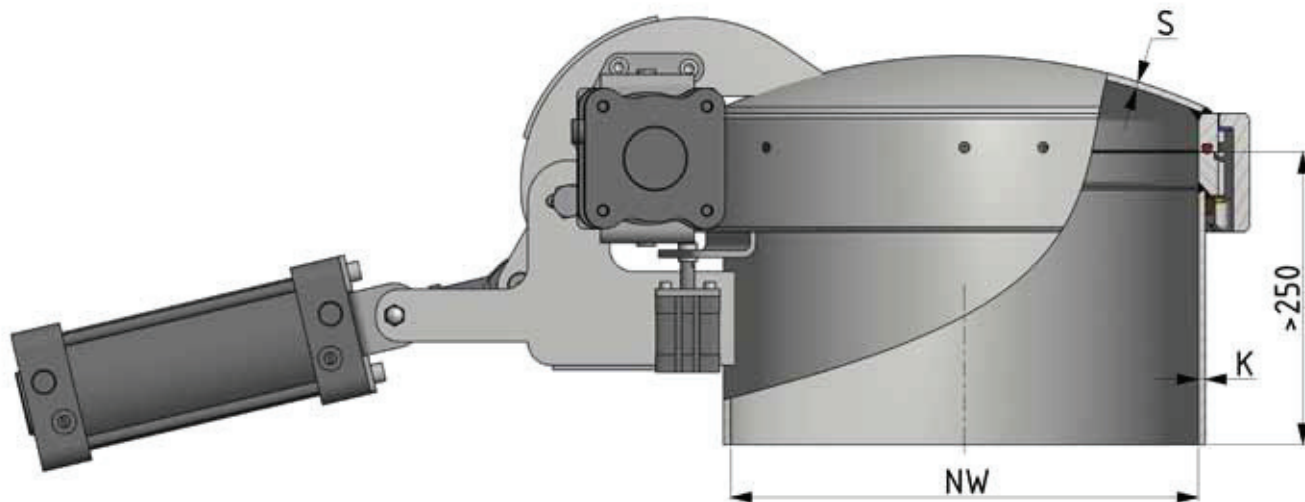


Zimmerlin GmbH  
Edelstahl-Technik  
Frohmatenstr. 19  
D-79268 Bötzingen

Tel. +49(0)7663-6088-0  
Fax +49(0)7663-6088-88  
info@zimmerlin.de  
www.zimmerlin.de



Stand: Juni 2015



Article No.	NW	MAWP [bar]	Total height [mm]	S for 1.4571 [mm]	Weight [kg]	Price in EUR
24042000-A	<b>400</b>	4/-1	200	4	85	
24062000-A	<b>400</b>	6/-1	200	6	87	
24082000-A	<b>400</b>	8/-1	200	8	89	
24102000-A	<b>400</b>	10/-1	200	10	92	
25042000-A	<b>500</b>	4/-1	200	4	112	
25062000-A	<b>500</b>	6/-1	200	6	116	
25082000-A	<b>500</b>	8/-1	200	8	119	
26042000-A	<b>600</b>	4/-1	200	4	132	
26062000-A	<b>600</b>	6/-1	200	6	137	
26082000-A	<b>600</b>	8/-1	200	8	142	

Gaskets see chapter 9.1



Stand: Juni 2015

Tel. +49(0)7663-6088-0  
Fax +49(0)7663-6088-88  
info@zimmerlin.de  
www.zimmerlin.de

**Zimmerlin GmbH**  
Edelstahl-Technik  
Frohmatenstr. 19  
D-79268 Bötzingen

